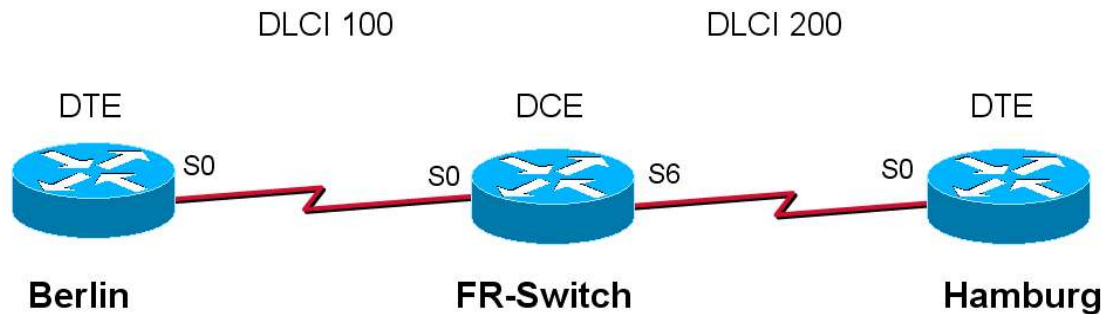


Frame Relay – einfache Konfiguration



Konfiguration FRSwitch

```

FRSwitch(config)#frame-relay switching
FRSwitch(config)#interface Serial0
FRSwitch(config-if)#no ip address
FRSwitch(config-if)#encapsulation frame-relay
FRSwitch(config-if)#clock rate 64000
FRSwitch(config-if)#frame-relay intf-type dce
FRSwitch(config-if)#frame-relay route 100 interface Serial6 200
FRSwitch(config-if)#no shutdown
FRSwitch(config-if)#interface S6
FRSwitch(config-if)#no ip address
FRSwitch(config-if)#encapsulation frame-relay
FRSwitch(config-if)#clock rate 64000
FRSwitch(config-if)#frame-relay intf-type dce
FRSwitch(config-if)#frame-relay route 200 interface Serial0 100
FRSwitch(config-if)#no shutdown
  
```

Kontrollmöglichkeiten

```
FRSwitch# show frame-relay route
```

Konfiguration Berlin

```

Berlin(config)# interface serial0
Berlin(config-if)# encapsulation frame-relay
Berlin(config)# ip address 10.0.0.1 255.0.0.0
Berlin(config)# no shutdown
Berlin(config-if)# exit
  
```

Konfiguration Hamburg

```

Hamburg(config)# interface serial0
Hamburg(config-if)# encapsulation frame-relay
Hamburg(config-if)# ip address 10.0.0.2 255.0.0.0
Hamburg(config-if)# no shutdown
  
```

Kontrollmöglichkeiten

Hamburg# show ip interface brief
Hamburg# show frame-relay pvc
Hamburg# show frame-relay map

Änderung des LMI-Types

Hamburg(config)# interface serial0
Hamburg(config-if)# frame-relay lmi-type ansi
FRSwitch(config)#interface S4
FRSwitch(config-if)#frame-relay lmi-type ansi